

Pr.1

Exposed Neon

Built-up aluminium letter painted pantone 485 with exposed neon to face

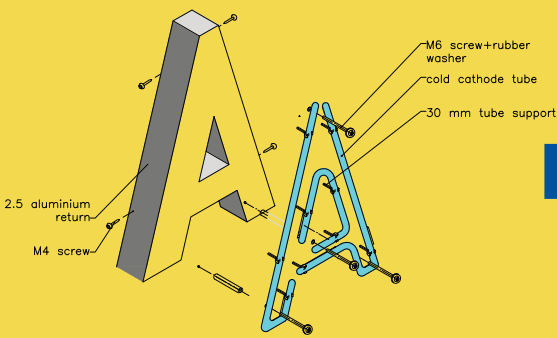


Coca-Cola

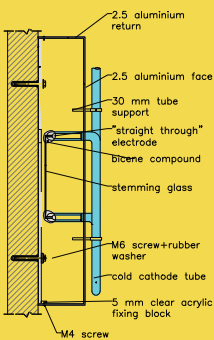
Pr.1

Exposed Neon

Built-up aluminium letter painted reflex blue with exposed neon to face



Isometric Exploded View



Section Thru

